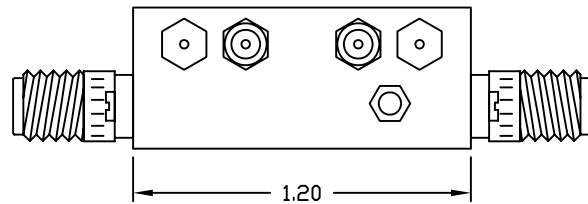


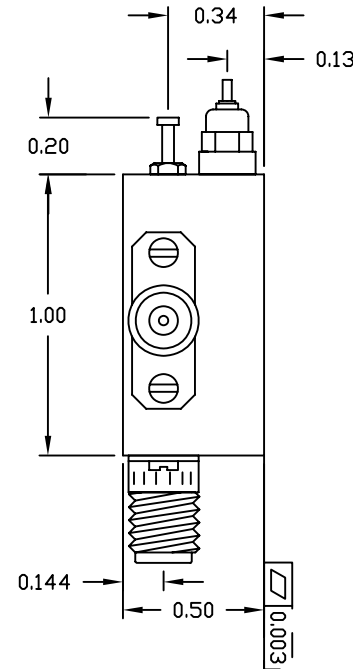
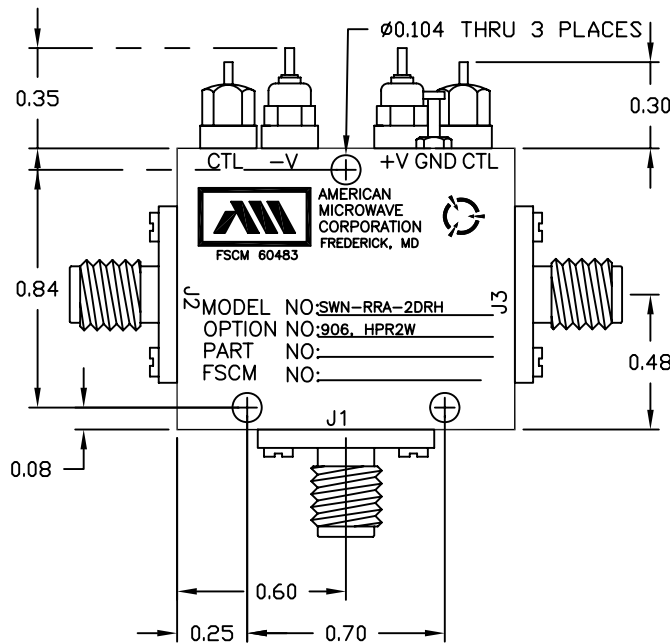
DESCRIPTION:

AMC MODEL SWN-RRA-2DRH-COMDEV IS A SINGLE POLE TWO THROW NARROW BAND REFLECTIVE SWITCH MODULE, DESIGNED FOR THE 9.5 TO 9.7 GHz FREQUENCY RANGE. THIS 45 dB ISOLATION SWITCH IS DESIGNED FOR HIGH POWER.

REVISIONS				
ECR	REV.	DESCRIPTION	DATE	APPROVED
	-	ORIGINAL RELEASE JOB# 207109-5	01/19/04	
07-046	A	CHNG. TO MEET CUSTOMER SPEC.	03/28/07	
07-075	B	CHNG. INSERTION LOSS SPEC.	05/15/07	



MECHANICAL OUTLINE



ALL DIMENSIONS ARE IN INCHES
TOLERANCES:
X.XX ±0.020
X.XXX ±0.010

AMERICAN MICROWAVE CORPORATION

7311-G GROVE ROAD
FREDERICK, MARYLAND 21704 USA
TEL: 301-662-4700 FAX: 301-662-4938
WEBSITE: www.americanmicrowavecorp.com
E-MAIL: sales@americanmicrowavecorp.com
ISO 9001:2000 CERTIFIED



APPROVALS		DATE	TITLE			
DRAWN <i>DPD</i>		01/19/04	MECHANICAL OUTLINE SWN-RRA-2DRH-COMDEV OPTIONS: 906, HPR2W 9.5-9.7 GHz, SPDT REFLECTIVE SWITCH			
CHECKED <i>RA</i>		04/04/07	SIZE	FSCM NO.	DWG NO.	REV.
RE-DRAWN <i>PRB</i>		03/28/07	A	60483	100-S005-000	B
			SCALE N:S			SHEET 2 OF 4

DESCRIPTION:

AMC MODEL SWN-RRA-2DRH-COMDEV IS A SINGLE POLE TWO THROW NARROW BAND REFLECTIVE SWITCH MODULE, DESIGNED FOR THE 9.5 TO 9.7 GHz FREQUENCY RANGE. THIS 45 dB ISOLATION SWITCH IS DESIGNED FOR HIGH POWER.

REVISIONS				
ECR	REV.	DESCRIPTION	DATE	APPROVED
	-	ORIGINAL RELEASE JOB# 207109-5	01/19/04	
07-046	A	CHNG. TO MEET CUSTOMER SPEC.	03/28/07	
07-075	B	CHNG. INSERTION LOSS SPEC.	05/15/07	

SPECIFICATIONS

- FREQUENCY RANGE: 9.5 – 9.7 GHz FREQUENCY (OPTIMIZED)
- INSERTION LOSS: 1.0 dB MINIMUM
- ISOLATION: 45 dB MAXIMUM
- SWITCHING TIME:
 - DELAY ON: 250nS MAXIMUM (50% TTL – 90% RF)
 - DELAY OFF: 250nS MAXIMUM (50% TTL – 10% RF)
- VSWR: 2.0:1 MAXIMUM
- POWER SUPPLY: +5 VDC @ 160 mA MAXIMUM
 -15 VDC @ 50 mA MAXIMUM
- CONTROL:

CONTROL		INPUTS	STATE
C1	C2	C2	
0	0	0	NOT VALID
0	1	1	*J1-J2 ON, J1-J3 OFF
1	0	0	*J1-J2 OFF, J1-J3 ON
1	1	1	BOTH OFF

*J1-J2 CORRESPONDS TO RF1, J1-J3 CORRESPONDS TO RF2

- SIZE: 1.20" x 1.00" x 0.50"

OPTIONS:

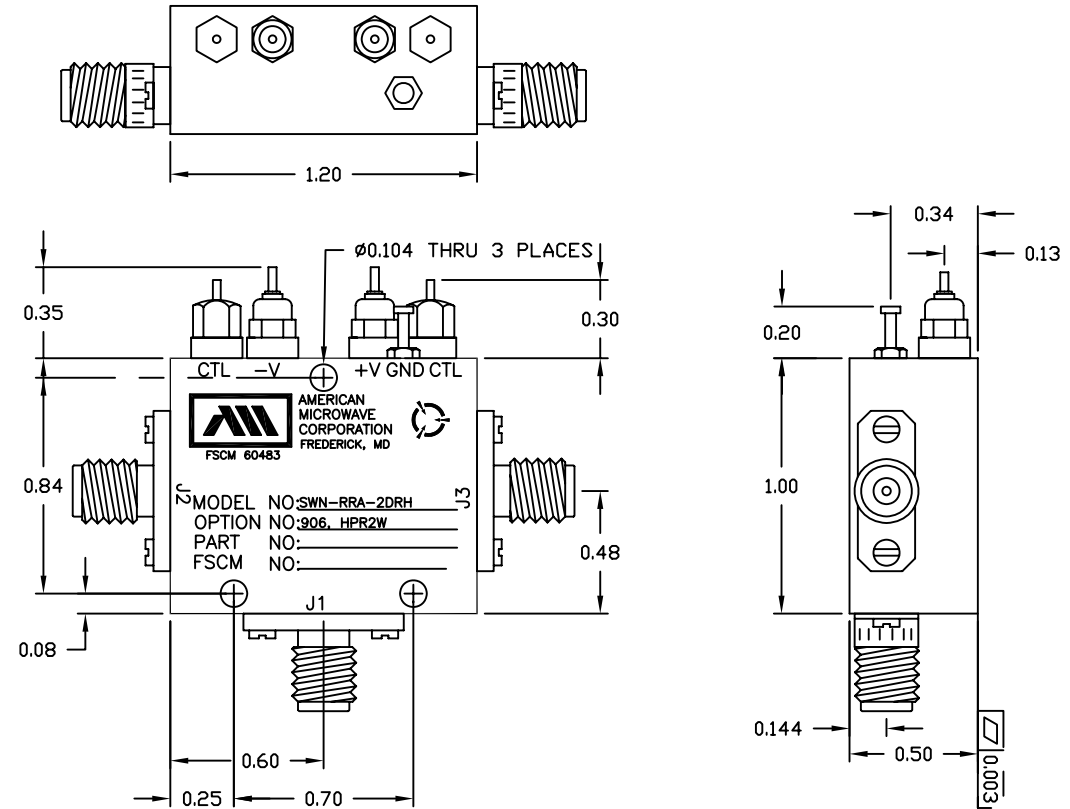
- 906: 9.6 GHz ±100MHz FREQUENCY
- HPR2W: 500 WATTS PEAK, 2.2W AVE., 0.5uS PW, 4.4KHz PRF COLD SWITCHING

ENVIRONMENTAL RATINGS:

- TEMPERATURE: -55°C TO +125°C (OPERATING)
 -65°C TO +125°C (STORAGE)
- HUMIDITY: MIL-STD-202F, METHOD 103B COND. B
- SHOCK: MIL-STD-202F, METHOD 213B COND. B
- VIBRATION: MIL-STD-202F, METHOD 204D COND. B
- ALTITUDE: MIL-STD-202F, METHOD 105C COND. B
- TEMPERATURE CYCLE: MIL-STD-202F, METHOD 107D COND. A

NOTE: SPECIFICATIONS WILL VARY OVER OPERATING TEMPERATURE
 NOTE: THE ABOVE SPECIFICATIONS ARE SUBJECT TO CHANGE OR REVISION

ALL DIMENSIONS ARE IN INCHES
 TOLERANCES:
 X.XX ±0.020
 X.XXX ±0.010



AMERICAN MICROWAVE CORPORATION

7311-G GROVE ROAD
 FREDERICK, MARYLAND 21704 USA
 TEL: 301-662-4700 FAX: 301-662-4938
 WEBSITE: www.americanmicrowavecorp.com
 E-MAIL: sales@americanmicrowavecorp.com
 ISO 9001:2000 CERTIFIED



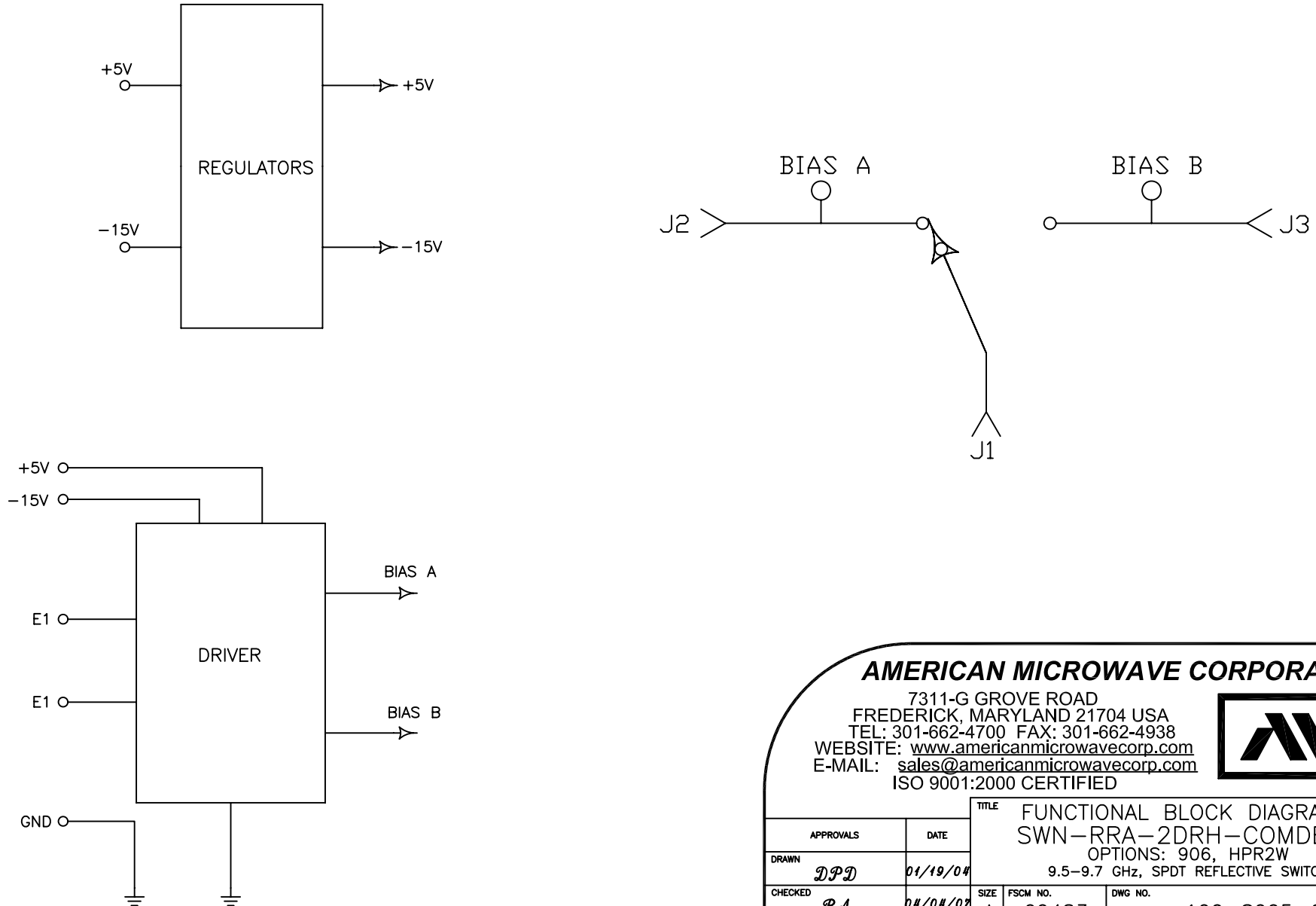
APPROVALS		DATE	TITLE			
DRAWN <i>DPD</i>		01/19/04	PRODUCT FEATURE SWN-RRA-2DRH-COMDEV OPTIONS: 906, HPR2W 9.5-9.7 GHz, SPDT REFLECTIVE SWITCH			
CHECKED <i>RA</i>		04/04/07	SIZE	FSCM NO.	DWG NO.	REV.
RE-DRAWN <i>PRB</i>		03/28/07	A	60483	100-S005-000	B
			SCALE	N:S	SHEET 1 OF 4	

DESCRIPTION:

AMC MODEL SWN-RRA-2DRH-COMDEV IS A SINGLE POLE TWO THROW NARROW BAND REFLECTIVE SWITCH MODULE, DESIGNED FOR THE 9.5 TO 9.7 GHz FREQUENCY RANGE. THIS 45 dB ISOLATION SWITCH IS DESIGNED FOR HIGH POWER.

REVISIONS				
ECR	REV.	DESCRIPTION	DATE	APPROVED
	-	ORIGINAL RELEASE JOB# 207109-5	01/19/04	
07-046	A	CHNG. TO MEET CUSTOMER SPEC.	03/28/07	
07-075	B	CHNG. INSERTION LOSS SPEC.	05/15/07	

FUNCTIONAL BLOCK DIAGRAM



AMERICAN MICROWAVE CORPORATION

7311-G GROVE ROAD
 FREDERICK, MARYLAND 21704 USA
 TEL: 301-662-4700 FAX: 301-662-4938
 WEBSITE: www.americanmicrowavecorp.com
 E-MAIL: sales@americanmicrowavecorp.com
 ISO 9001:2000 CERTIFIED



APPROVALS		DATE	TITLE		
DRAWN <i>DPD</i>		01/19/04	FUNCTIONAL BLOCK DIAGRAM		
CHECKED <i>RA</i>		04/04/07	SWN-RRA-2DRH-COMDEV		
RE-DRAWN <i>PRB</i>		03/28/07	OPTIONS: 906, HPR2W		
SIZE	FSCM NO.	DWG NO.	REV.		
A	60483	100-S005-000	B		
SCALE N:S			SHEET 3 OF 4		